

## Serial to Cellular IP Modem Specification

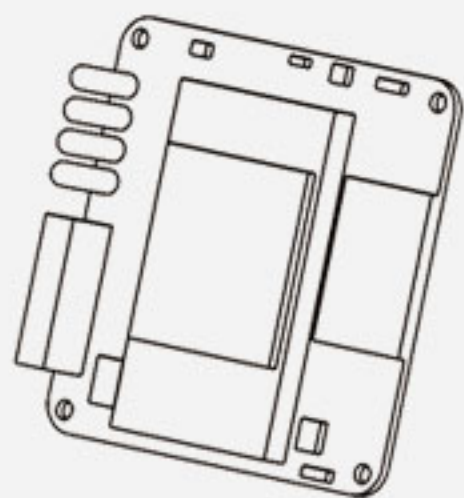
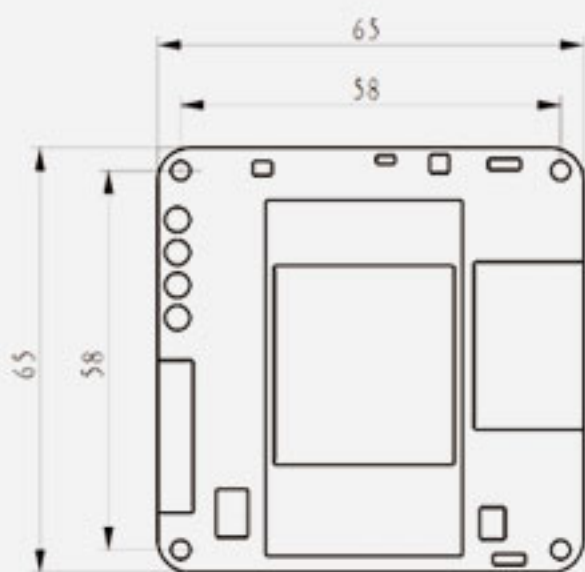
# BMD300

Models: BMD300-G, BMD300-W, BMD300-LF



**BMD300 serial to cellular IP modem series** meet the DL/T 721-2000 distribution automation system in power industry via cellular 4G/3G/2.5G network, to provide a stable and reliable wireless communication link for the harsh power unattended site. It has been widely used in power distribution automation, transmission line monitoring, substation monitoring, PV power station monitoring, charging pile monitoring and other intelligent power fields.

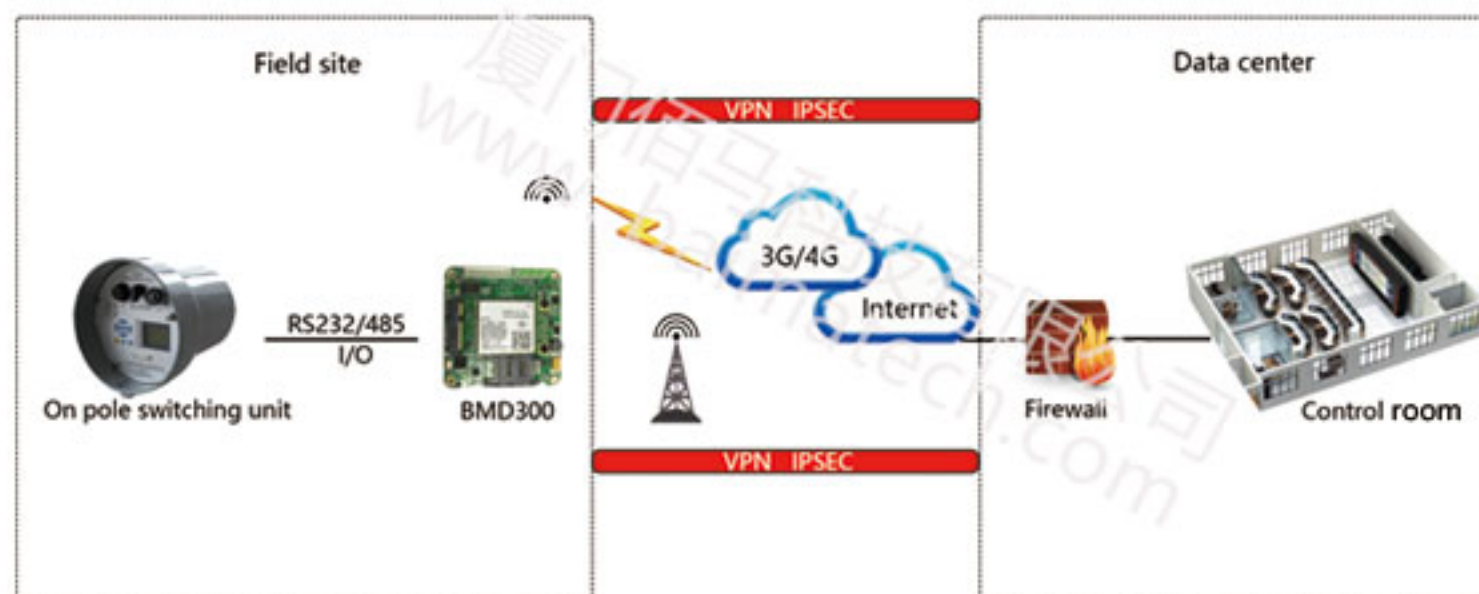
### Dimensions



### Features

- Embedded design, product size fully conforms to distribution automation standard
- Support IEC101 serial and IEC104 network communication protocol
- High and low temperature (-35-75°C), wide voltage (5-35V)
- Dual serial port, RS232, RS485, I/O, ADC(optional) interface
- 4G/3G/2.5G network with courier approval
- Multiple hardware and software technology guarantee connection "permanent online"
- Financial level data security, private network access
- Support data multi center synchronous transmission (5 x centers)
- Strong signal search and reception ability
- Compatible with city power, solar power, battery power
- Durable self locking card slot
- Device management tool, centralized monitoring, configuration, upgrading, diagnosis of a large number of distributed terminals

### Networking





## Specifications

Item	Content	Standard	Description
Interface	Serial port	X 2	Serial form: 9 PIN 3.5mm terminal Serial type: 2 x RS-232 (one for communication, the other for debugging) Baud rate: 1200~115200 bps Data format: 8 x data bits, 1 x stop bits, none/odd/even parity, no flow control
	SIM/UIM	X 1	Drawer type holder, standard 1.8V/3V SIM/UIM, 15KV ESD protection Standard SMA female interface, 50 ohm System, Power, ACT, Online
	Antenna interface	X 1	
	LED Indicators	X 4	
Power supply	Standard Voltage Current	DC 12V/0.5A DC 5V -- 35V <85mA (12V)	Reverse-voltage and overvoltage protection
Power Consumption	Communication Standby Sleep	<1W <0.4W <0.1W	<85mA@12VDC; <216mA@5VDC <30mA@12VDC; <55mA@5VDC <8mA@12VDC; <18mA@5VDC
Security	Link detection	PPP layer heartbeat, ICMP detection, TCP keepalive and application layer heartbeat and other multi-level link detection mechanisms, and support dropout reconnection	
	Watchdog	Self-diagnostic, auto-recover from failure	
Network management	Auto dialing	Auto dialing when powered	
	On-demand dialing	Activate by data/SMS/call, scheduled online/offline	
	Configurati	M2M equipment cloud platform, remote/serial port/SMS configuration	
	Upgrade	Serial port or remote upgrade	
	Log	local or remote log	
	Management	M2M equipment cloud platform	
	Configure backup	Configure file import and export	
Environment	Working	-35 - +75° C	
	Storage	-40 - +80° C	
	Humidity	95% (unfreezing)	
Physical features	Installation	Screw locking	
	Dimensions	65x65x24 (excluding antenna and mounting)	
	Weight	74g	

## Ordering

Model	Network	Cellular frequencies
BMD300-G	GPRS	GSM850/900/1800/1900MHz GSM PHASE 2/2+ GPRS CLASS 10 CLASS 12(optional)
BMD300-W	HSPA+/WCDMA	UMTS/WCDMA/HSDPA/HSUPA/HSPA+ 850/900/1900/2100MHz GSM850/900/1800/1900MHz GPRS/EDGE CLASS 12
BMD300-LF	LTE/WCDMA	FDD-LTE 2600/2100/1800/900/800MHz 700/1700/2100MHz(optional) HSPA+/HSDPA/HSUPA/WCDMA/UMTS 900/2100MHz 800/850/1900/2100MHz(optional) EDGE/GPRS/GSM 850/900/1800/1900MHz GPRS CLASS 10 EDGE CLASS 12

## Dimensions

